



ITEM # 1808

U.S. Patent No. 8,950,893; 9,546,782 and D-759,285



1808 LED FIXTURE

- Low profile high impact Lexan globe with anti-glare technology
- Preferred fixture for replacing inefficient lighting
- Designed to reduce electrical usage by 85%
- Minimal heat generation will lower utility cost
- Exceed Federal Energy Act requirements
- Rated for 50,000+ hours of life
- 4000K color temperature
- Designed for damp/wet/cooler/freezer environments
- 5 year limited warranty on the light engine
- LM-79 tested

SPECIFICATIONS

MATERIAL:
Lexan lens, Aluminum Housing.

MOUNTING:
Surface mount.

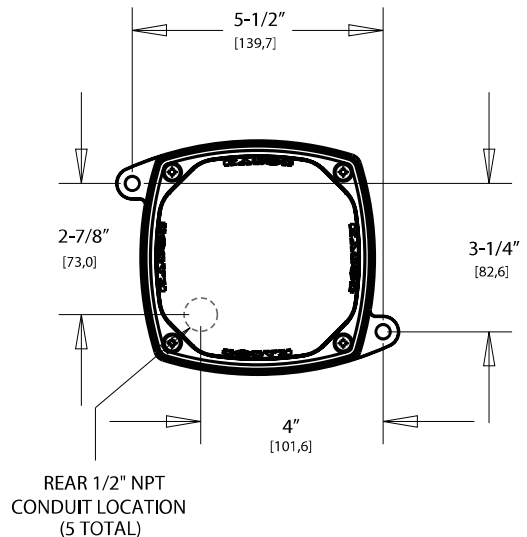
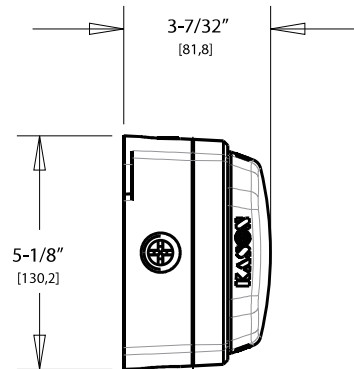
ELECTRICAL:
1355 Lumens
90-305 VAC, 50/60Hz.
92 Lumens/Watt
.12 Amps @120v
Watts: 14.7 W
Power factor: 0.99
CRI 85

SAFETY STANDARDS:
RoHS
UL listed US and Canada,
File No. E333932
NSF Listed
IP-65
Energy Star Certified

TEMPERATURE RATINGS:
Operating temperature:
-40°F [-40°C] to 104 °F [40°C].

PRISON PACKAGE
Tamper resistant fastener kit
option available.

Model No.	Description	Weight	Qty/ Carton
11808000000	14 Watt, VP, 120-277 V, LED Fixture	2.5 lbs / unit	12 ea.
11808CE0000	14 Watt, VP, 120-277 V, LED Fixture, CE	2.5 lbs /unit	12 ea.
1180800A100	12 Watt, VP, 120 V, LED Fixture	2.1 lbs /unit	12 ea.
91808000357	Tamper Resistant Screw Kit		
918080A1588	12 Watt, 120 V, Replacement Module		



© 2019 Kason Industries, Inc.

0119 LIT 001