



ITEM # 27C



27C DEADBOLT HANDLE LATCH

- Deadbolt security for walk-ins at the economy of a locking pull handle.
- Compare total cost and function of this patented deadbolt latch.

EASY OPERATION AND USE

- Finger slide seats and opens deadbolt.
- Deadbolt can be locked in open position.
- Unlocked door easily pulls or pushes open.

TOP FORM AND FUNCTION

- Bold styling complements all popular Kason walk-in hinges.
- User-friendly design ensures ideal door function when used with Kason hinges.

ADA COMPLIANT INSIDE RELEASE

- Optional quarter-turn inside release lever makes for easy, quick exit.
- Glow in the dark expanding rings adjust to wall thickness variations.

ASSURED SECURITY AND SAFETY

- Deadbolt is secured using cylinder lock or padlock, or both.
- Features tamper-resistant screw hole plugs.
- Easy-grip, twist-off glow in the dark inside release knob prevents lock-ins.
- Optional 1/4 turn inside release to meet ADA requirements for fast and simple activation.

FAST, SIMPLE INSTALLATION

- Surface-mounts like a locking pull handle; no complex in-door installation.
- Fits standard doors without modification.

SAVES MAINTENANCE COSTS

- Almost nothing to break or wear out assures long service life.
- Locking mechanism located entirely on outside of panel resists freeze-up, even on super low-temp walk-ins.

OFFSETS

- Standard latch is for flush doors but offset blocks are available to fit offset doors from 1/2" to 1-5/8".

SPECIFICATIONS

LATCH

MATERIAL:
Die-cast Zamak handle housing, tongue and strike

FINISHES:
Polished chrome and brushed chrome

PACKAGING:
6 per carton

LOCKING MECHANISMS:
Cylinder lock (may be keyed alike or randomly). Accepts 5/16" (7.9mm) dia. shank padlock (customer supplied)

MOUNTING:
Drilled and countersunk for 1/4" (6.4mm) fillister head screws

STRIKE

MATERIAL:
Die-cast Zamak housing, brass rod, glow in the dark turn-knob, or zinc 1/4 turn lever with glow expansion rings

FINISHES:
Housing same as latch

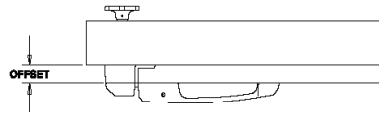
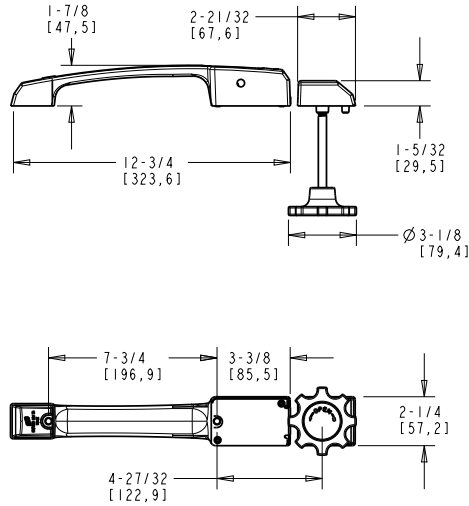
Flush offset and 4" thick wall standard. Other wall thicknesses available. Consult factory. 1-5/8" offset option listed in model number table; Available down to 1/2"

U.S. Patent Nos. 6,526,788 B2 and D453,100

KASON DEADBOLT HANDLE LATCH

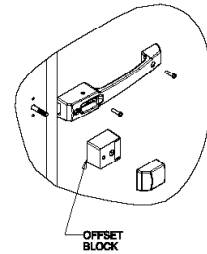
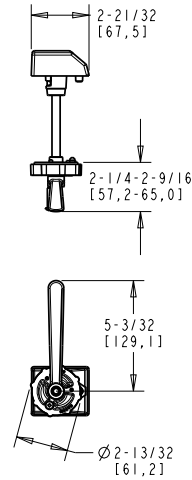
ITEM # 27C

TWIST KNOB INSIDE RELEASE



1/4-TURN INSIDE RELEASE

U.S. Patent No. 9,068,376



Model No.	Item	Finish/Wall	Offset	Inside Release
10027C00(X)(Y)4	Deadbolt Handle Latch	Polished Chrome 4"	See X Options In Table Below	See Y Options In Table Below
10027C00(X)(Y)5	Deadbolt Handle Latch	Brushed Chrome 4"		
10027C00(X)(Y)7	Deadbolt Handle Latch	Brushed Chrome 5"		
10027C00(X)(Y)8	Deadbolt Handle Latch	Polished Chrome 5"		
90056CM	Cylinder Kit			

X =	0	Flush	Y =	0	Twist Knob
	4	.50"	1	1/4 Turn Lever	
	5	.62"			
	6	.75"			
	7	.88"			
	8	1.00"			
	A	1.12"			
	B	1.25"			
	C	1.38"			
	D	1.50"			
	E	1.62"			