

PACESETTER HINGES

- Bold, contemporary style
- Complements Kason Pacesetter locking handles. See pg. B-30
- Economy and durability are built in
- Strong, self-lubricating nylon cam delivers smooth, trouble-free door operation. Closes door with minimum effort
- Patented cam-rise action reduces gasket wear, even with irregular floors
- Built-in dwell holds door open beyond 120°
- Easy lift off
- Hinges reverse in minutes without tools for use on right- or left-opening door

SPECIFICATIONS

MATERIAL: High pressure die-cast zinc with self-lubricating nylon cam
FINISH: See table below
OFFSET: Flush (0.0mm)
MOUNTING: Drilled and countersunk for 1/4" (6.0mm) flat head screws
LOAD RATING: See Hinge Selector Chart, Page B24, Group D

1255 HINGE

PACKAGING: 8 each
WEIGHT: Approx. 20 lb. 6 oz. (9.2kg) per carton

1256 HINGE

PACKAGING: 6 each
WEIGHT: Approx. 18 lb. (8.2kg) per carton

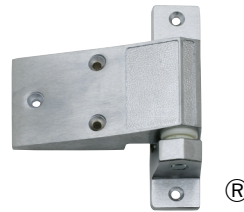
1255-2 SPRING CARTRIDGE KIT

Converts No. 1255 or 1256 to spring assist for greater closing force

SPECIFICATIONS

MATERIAL:
 High pressure die-cast zinc shell, premium wire spring.

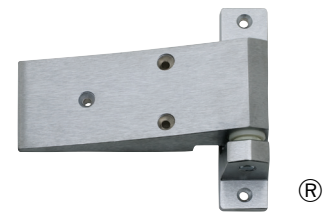
Model No.	Item	Finish
11255V00004C	Hinge, Smooth Face	Polished Chrome
11255000004	Hinge, Textured Panel	Brushed Chrome
11255000014	Hinge, Textured Panel	Polished Chrome
11256V00004C	Hinge, Smooth Face	Polished Chrome
11256000004	Hinge, Textured Panel	Brushed Chrome
11255000002	Spring Kit for 1255 & 1256	Brushed Chrome
11255000003	Spring Kit for 1255 & 1256	Polished Chrome



ITEM # 1255



U.S. Trademark: 2,177,708

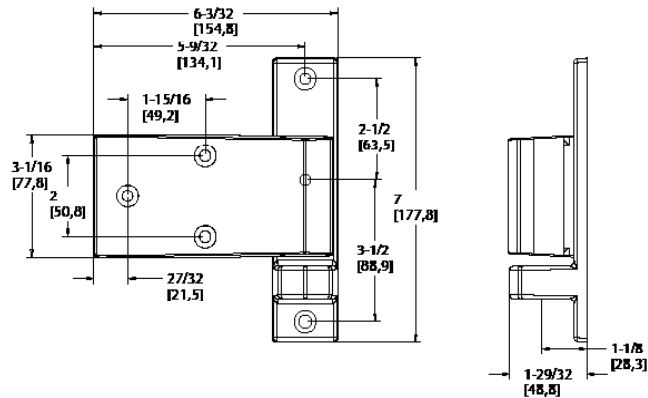


ITEM # 1256

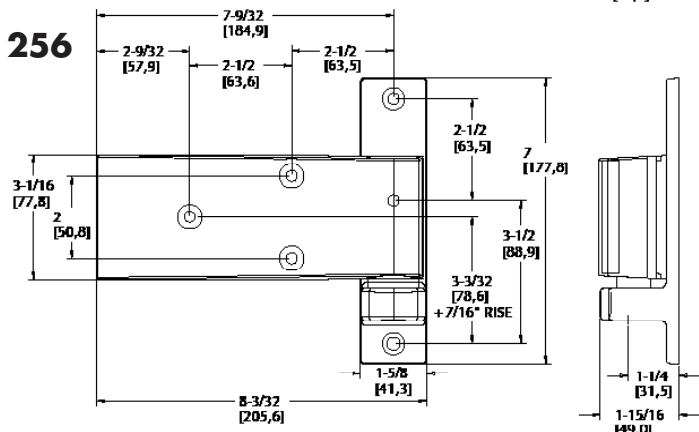


U.S. Trademark: 2,136,434

1255



1256

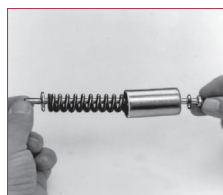


EASY SPRING CARTRIDGE INSTALLATION

1. Replace existing follower assembly with spring cartridge follower assembly.



2. Assemble spring cartridge.



3. Remove black plastic cap at top of strap and insert spring assembly into strap so that screw enters hole in cam.



4. Drive screw through rod and secure with acorn nut.

