

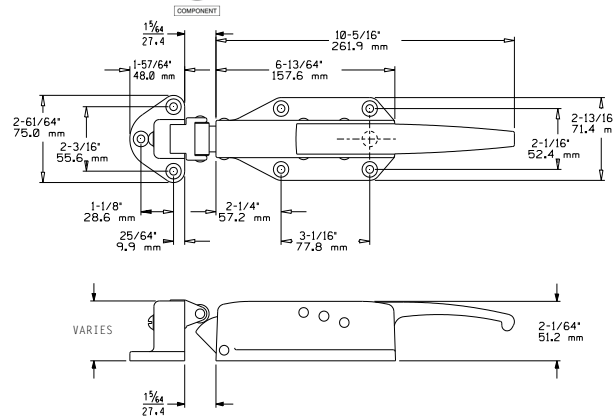
## 77 LATCH & STRIKE



**ITEM # 77**



**CRUS\*\***



### 77 ROLLING RADIAL LATCH WITH STRIKE

- For lighter weight foam doors
- Radial tongue combined with a roller strike for easiest closing and smoothest opening walk-in doors
- Releases with minimum pressure or pull from outside or push from inside with Kason inside release handle
- Mate with Kason door closer for effortless closure
- Adjustable strike assures exact door alignment.
- Padlocking provision standard on all models

### SPECIFICATIONS

**MATERIAL:**  
High pressure die-cast zinc. Stainless steel back plate

**FINISH:**  
Polished chrome models listed. Also available in brushed chrome, silver powder coat for severe environmental applications

**MOUNTING:**  
Holes drilled and countersunk for 1/4" (6.0 mm) screws

**PACKAGING:**  
6 per carton

**WEIGHT:**  
Approx. 24 lb. (11.3kg) per carton

**INSIDE RELEASE:**  
Accepts "C" series inside release. Order separately. See pages B-25, B-26, and B-27 for selection

Model No.	Description	Offsets
10077CH0004C	Cylinder Locking, Heavy Spring	-1/8" to 1/4" (-3.2 to 6.4 mm)
10077CH0008C	Cylinder Locking, Heavy Spring	3/4" to 1-1/2" (19.0 to 38.1 mm)
10077CH0012C	Cylinder Locking, Heavy Spring	1-3/4" to 2-1/2" (44.5 to 63.5 mm)
10077CL0004C	Cylinder Locking, Light Spring	-1/8" to 1/4" (-3.2 to 6.4 mm)
10077CL0008C	Cylinder Locking, Light Spring	3/4" to 1-1/2" (19.0 to 38.1 mm)
10077CL0012C	Cylinder Locking, Light Spring	1-3/4" to 2-1/2" (44.5 to 63.5 mm)
10077H00004C	Latch, Heavy Spring	-1/8" to 1/4" (-3.2 to 6.4 mm)
10077H00008C	Latch, Heavy Spring	3/4" to 1-1/2" (19.0 to 38.1 mm)
10077H00012C	Latch, Heavy Spring	1-3/4" to 2-1/2" (44.5 to 63.5 mm)
10077L00004C	Latch, Light Spring	-1/8" to 1/4" (-3.2 to 6.4 mm)
10077L00008C	Latch, Light Spring	3/4" to 1-1/2" (19.0 to 38.1 mm)
10077L00012C	Latch, Light Spring	1-3/4" to 2-1/2" (44.5 to 63.5 mm)

Strike model 59 is included with all 77 models.

Cylinder locking latches may be keyed alike or differently; 5 key changes available; please specify.

90531CM000401	Replacement Cylinder Kit #401
90531CM000402	Replacement Cylinder Kit #402
90531CM000403	Replacement Cylinder Kit #403
90531CM000404	Replacement Cylinder Kit #404

\*\*Light Spring Models with roller strike