



**ITEM # 55**

**55 SAFEGUARD® LATCH**

This pioneer, heavy duty refrigeration equipment safety latch has been imitated but never matched in rugged mechanical features and value. Designed to prevent accidental entrapment in walk-ins.

- Designed for large doors and test chambers that require a positive latch.
- Complete with inside release lever to prevent accidental entrapment in locked walk-ins. Inside lever releases cylinder-locked or padlocked door.
- Patented Kason micro-adjustable strike assures precise adjustment.

**SPECIFICATIONS**

**MATERIAL:**  
High pressure die-cast zinc body and strike housing, malleable iron handle, cold rolled steel inside release paddle assembly

**FINISH:**  
See table to right

**MOUNTING:**  
Holes drilled and countersunk for 1/4" (6.0mm) screws

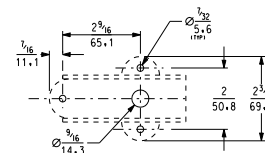
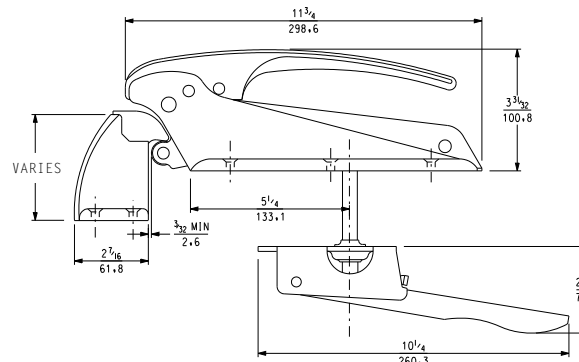
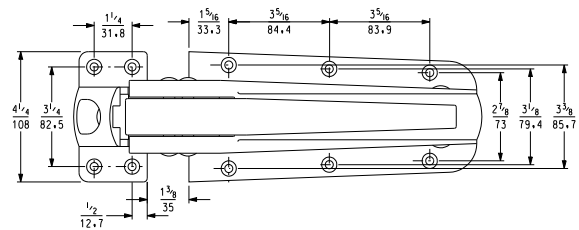
**DOOR THICKNESS:**  
Plunger rod for inside release handle fits 6" (152.4mm) door. Specify other door thickness

**SPRING OPTIONS:**  
Specify preference as follows:

**55XL – Latch with light spring**

**55XXL – Latch with extra-light spring; use with Kason 486D or 489D push-type inside release. For inside releases, see pages B-25, B-26 and B-27.**

**PACKAGING/ WEIGHT:**  
1 per carton / Approx. 14 lb. (6.4kg) per carton



Model No.	Offset	Finish
10055000020`	Flush to 3/16" (0.0 to 4.8 mm)	Polished Chrome
10055000024	3/4" to 1-1/8" (19.0 to 28.6 mm)	Polished Chrome
10055000028	1-1/8" to 1-5/8" (28.6 to 41.3 mm)	Polished Chrome
10055000032	1-3/8" to 1-7/8" (34.9 to 47.6 mm)	Polished Chrome
10055000065	Flush to 3/16" (0.0 to 4.8 mm)	Tuffkote
10055000066	3/4" to 1-1/8" (19.0 to 28.6 mm)	Tuffkote
10055000068	1-1/8" to 1-5/8" (28.6 to 41.3 mm)	Tuffkote

No. 55 bodies and strikes may be ordered separately.  
Brushed Chrome and Powder Coat finishes available. Request information.  
15582000004 1-1/8" to 1-5/8" (28.6 to 41.3 mm) Chrome

**5582 FREEZER LATCH**

Same features and specifications as No. 55, except uses fiberglass rod and neoprene washer as cold barrier and inside release is rubber-coated to minimize surface frosting.

